

WINE COOLER

User manual

GB




BPWK-88

Thanks for buying our wine cooler, Hope our advanced product will give your wine a different joyful taste. Before use, please read and follow all safety rules and operating instructions.

WARNING

- To prevent damaging the door gasket, make sure to have the door all the way opened when pulling shelves out of the rail compartment.
 - The appliance must be positioned so that the plug is accessible. Release the electric cord. Move your cooler to its final location. Do not move your Cooler while loaded with wine. You might distort the body. The wine cellar should be installed in a suitable place in order to avoid Touching the compressor with the hand.
 - If the supply cord is damaged, it must be replaced by manufacturer of its Service agent or a similarly qualified person in order to avoid a hazard.
- PLEASE DON'T TRY TO PLUG INTO OR EXTENSION THE CABLE IN ANY CASE.**

IMPORTANT SAFETY INSTRUCTIONS

	<p>To reduce the risk of fire, electrical shock, or injury when using your appliance, follow these basic precautions:</p>
<ul style="list-style-type: none"> • Read all instructions before using the Wine cooler. • DANGER or WARNING: Risk of child entrapment. Child entrapment and suffocation are not problems of the past. Junked or abandoned appliances are still dangerous . . . even if they will “just sit in the garage a few days”. • Before you throw away your old Wine cooler: Take off the door. Leave the shelves in place so that children may not easily climb inside. • Never allow children to operate, play with, or crawl inside the appliance. • Never clean appliance parts with flammable fluids. The fumes can create a fire hazard or explosion. • Do not store or use gasoline or any other flammable vapors and liquids in the vicinity of this or any other appliance. The fumes can create a fire hazard or explosion. • The refrigerant of these appliances are R600a , Flammable and explosive articles should not be put in or near the cooler, to avoid the fire or explode caused. <p style="text-align: center;">-Save these instructions-</p>	

INSTALLATION INSTRUCTIONS

➤ **Before Using Your Wine cooler**

- Remove the exterior and interior packing.
- Before connecting the Wine cooler to the power source, let it stand upright for approximately 2 hours. This will reduce the possibility of a malfunction in the cooling system from handling during transportation.
- Clean the interior surface with lukewarm water using a soft cloth.
- When disposing your appliance, please choose an authorized disposal site.

➤ **Installation of Your Wine cooler**

- Place your Wine cooler on a floor that is strong enough to support it when it is fully loaded. To level your Wine cooler, adjust the front leveling leg at the bottom of the Wine cooler.
- Locate the Wine cooler away from direct sunlight and sources of heat (stove, heater, radiator, etc.). Direct sunlight may affect the acrylic coating and heat sources may increase electrical consumption. Extreme cold ambient temperatures may also cause the unit not to perform properly.
- Avoid locating the unit in moist areas.
- Plug the Wine cooler into an exclusive, properly installed-grounded wall outlet. Do not under any circumstances cut or remove the third (ground) prong from the power cord. Any questions concerning power and/or grounding should be directed toward a certified electrician or an authorized Products service center.

➤ **Attention**

- Store wine in sealed bottles;
- Do not overload the cooler;
- Do not open the door unless necessary;
- Do not cover shelves with aluminum foil or any other shelf material which may prevent air circulation;
- Should the Wine cooler be stored without use for long periods it is suggested, after a careful cleaning, to leave the door ajar to allow air to circulate inside the cooler in order to avoid possible formations of condensation, mold or odors.\

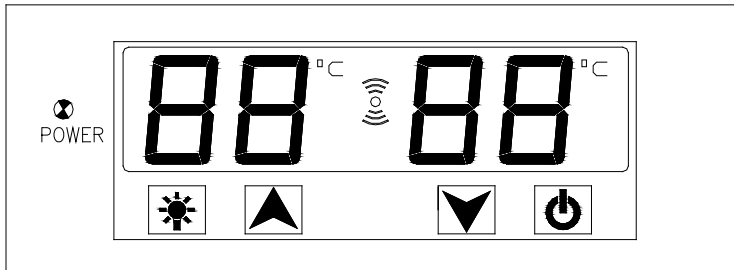
OPERATING YOUR WINE COOLER AND SETTING THE TEMPERATURE CONTROL

Please use the cooler under 5-32 °C ambient temperature, if the ambient temperature is higher than or lower than this temperature, it will cause the temperature fluctuation in the cooler,

maybe can't reach 5-18 °C.

➤ Controll System Instruction

This is LCD touch panel.



- **“POWER”**
When the indicator light is on, the power for machine is on.
- **“88”**
To show the temperature of the internal cooler.
- **“▲” Button**
The button control upper compartment setting temperature. When you press this button, the setting temperature will decrease 1 °C.
- **“▼” Button**
The button control lower compartment setting temperature. When you press this button, the setting temperature will decrease 1 °C.
- **“☀” Button**
To control the inner light turn on/off.
Press this button until LP LP appears on the display. The light will always stay on. Press this button until LF LF appears on the display and the light turns off when you close the door.
- **“⏻” Button**
To control this appliance turn on/off.
Press this button, the power is on. Press this button with 3 seconds again, the power is off.
- **“📶”**
Alarm Indicator light

➤ Setting The Temperature Controls

- The temperature setting range as below:
Upper compartment: 5~10°C
Lower compartment: 10~18°C
- The acquiescence temperature as below:
Upper compartment: 6 °C
Lower compartment: 12°C
- When the system will be entering the set up temperature. Each press once the ▲ button,

the temperature setting of the upper zone will increase 1°C, When the temperature setting reach the upper limit 10°C, the temperature will return 5°C. Each press once the ▼ button, the temperature setting of the lower zone will lower 1°C, When the temperature setting reach the upper limit 18°C, the temperature will return 10°C.

- If you view actual temperature inside the wine cooler. Please press the ▲ or ▼ button keep 3 seconds, the actual temperature of the upper zone or the lower zone will be display the control board. After 5 seconds and The temperature will return to display the setting temperature.
- **Flashing word**= Cooler Temperature
Steady word = Set Temperature

➤ **Note**

- If the unit is unplugged, power lost, or turned off, you must wait 3 to 5 minutes before restarting the unit. If you attempt to restart before this time delay, the Wine cooler will not start.
- When you use the Wine cooler for the first time or restart the Wine cooler after having been shut off for a long time, there could be a few degrees variance between the temperature you select and the one indicated on the LED readout. This is normal and it is due to the length of the activation time. Once the Wine cooler is running for a few hours everything will be back to normal.

➤ **Function Instruction**

- **Temperature Recollection Function**

In the event of a power interruption, wine cooler can remember the previous temperature settings, and when the power is recovery, the cooler temperature will go back the same setting temperature as power off.

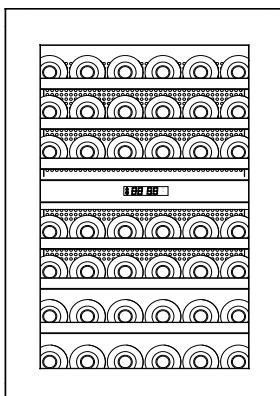
- **Overtime Open the Door Alarm**

When you forget close the door or the door is not closed completely, the buzzer alarm after 5 minutes. Please close the door completely and avoid the cold energy was lost.

➤ **Storage diagram**

(for 750 ml Bordeaux bottles)

Total: 42 bottles (Max)

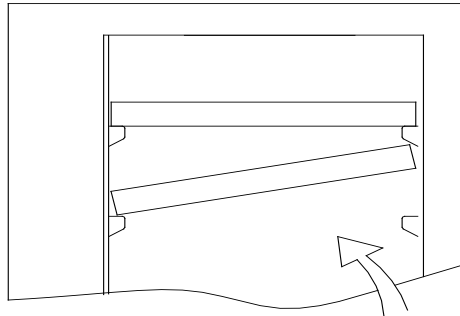


➤ **Shelves**

- To prevent damaging the door gasket, make sure to have the door all the way opened when pulling shelves out of the rail compartment.
- For easy access to the storage content, you must pull the shelves approximately 1/3 out of the rail

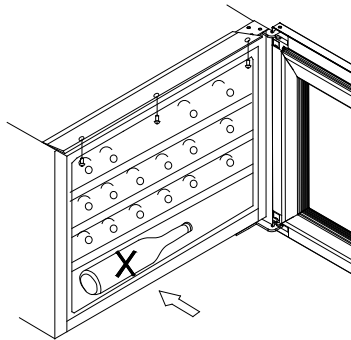
compartment, however this unit was designed with a notch on each sides of the shelf tracks to prevent bottles from falling.

- When removing any of these shelves out of the rail compartment, To fit or remove the shelf, tilt the shelf as per the diagram and simply pull out, or push in the shelf until it sits on the support brackets securely.



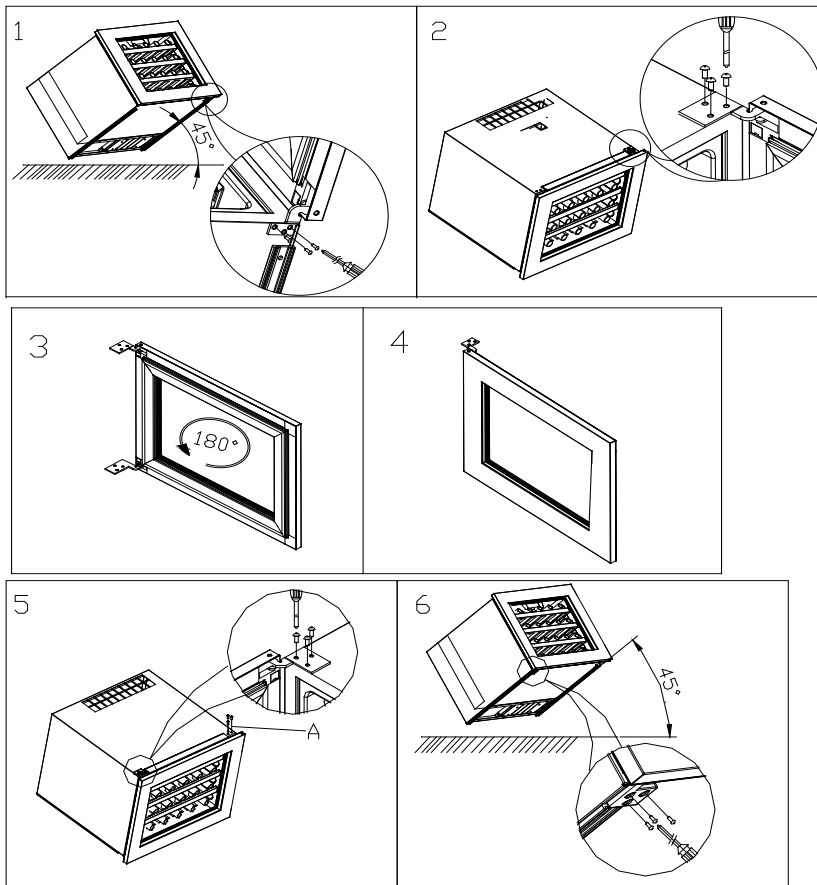
COUTION!

Do not store bottles crossways on the interior floor! Otherwise, bottles may fall out when the appliance door is opened and this may cause injury or material damage.



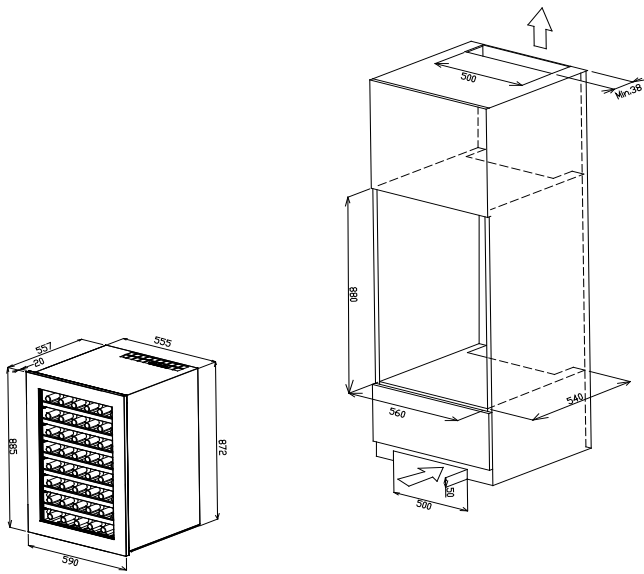
➤ **How to change the door opening**

This appliance has reversible doors but is delivered with a right hinged door. The left hand hinge kit comes with the unit (in the box), should you wish to reverse the hinge on your unit.

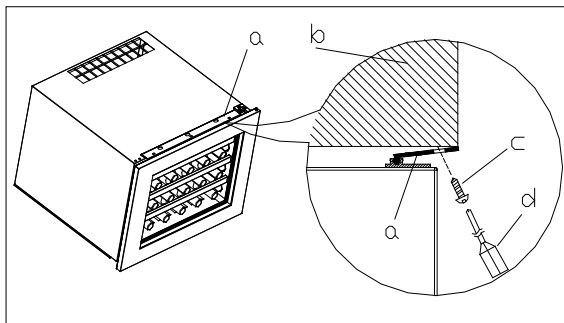


1. Incline the wine cooler with 45 degrees, take out right lower hinge's screws with screwdriver (Fig.1)
2. Level the wine cooler, Hold the door, and take out right upper hinge's screws with screwdriver, then take out the door, and rotate door at 180 degree (Fig.2 & Fig.3 & Fig.4)
3. Take off the decorated nail from left upper side, then fit the door with screws, then fit the decorated nail to right side of A location. (see Fig.5 & Fig.6)

➤ **Installation specifications for built-in purposes**



1. After installed wine cellar into cooler, please adjust limited block (a) close to cooler (b)
2. Please fix the 3 pcs screws through the limited block (a) screw hold into cooler (b), please find below picture for reference



a、 Limited block b、 Cooler c、 Screw d、 Screwdriver

CARE AND MAINTENANCE

➤ Cleaning Your Wine cooler

- Turn off the power, unplug the appliance, and remove all items including shelves and rack.
- Wash the inside surfaces with a warm water and baking soda solution. The solution should be about 2 tablespoons of baking soda to a quart of water.
- Wash the shelves with a mild detergent solution.
- Wring excess water out of the sponge or cloth when cleaning area of the controls, or any electrical parts.
- Wash the outside cooler with warm water and mild liquid detergent. Rinse well and wipe dry with a clean soft cloth.

➤ **Power Failure**

- Most power failures are corrected within a few hours and should not affect the temperature of your appliance if you minimize the number of times the door is opened. If the power is going to be off for a longer period of time, you need to take the proper steps to protect your contents.

➤ **Vacation Time**

- **Short vacations:** Leave the Wine cooler operating during vacations of less than three weeks.
- **Long vacations:** If the appliance will not be used for several months, remove all items and turn off the appliance. Clean and dry the interior thoroughly. To prevent odor and mold growth, leave the door open slightly: blocking it open if necessary.

➤ **Moving Your Wine cooler**

- Remove all items.
- Securely tape down all loose items (shelves) inside your appliance.
- Turn the adjustable leg up to the base to avoid damage.
- Tape the door shut.
- Be sure the appliance stays secure in the upright position during transportation. Also protect outside of appliance with a blanket, or similar item.

➤ **Energy Saving Tips**

- The Wine cooler should be located in the coolest area of the room, away from heat producing appliances, and out of the direct sunlight.

PROBLEMS WITH YOUR WINE COOLER?

You can solve many common Wine cooler problems easily, saving you the cost of a possible service call. Try the suggestions below to see if you can solve the problem before calling the servicer.

TROUBLESHOOTING GUIDE

PROBLEM	POSSIBLE CAUSE
Wine cooler does not operate.	Not plugged in. The appliance is turned off. The circuit breaker tripped or a blown fuse.
Wine cooler is not cold enough.	Check the temperature control setting. External environment may require a higher setting. The door is opened too often. The door is not closed completely. The door gasket does not seal properly.
Turns on and off frequently.	The room temperature is hotter than normal. A large amount of contents has been added to the Wine cooler. The door is opened too often. The door is not closed completely. The temperature control is not set correctly. The door gasket does not seal properly.
The light does not work.	Not plugged in. The circuit breaker tripped or a blown fuse. The bulb has burned out. The light button is "OFF".
Vibrations.	Check to assure that the Wine cooler is level.
The Wine cooler seems to make too much noise.	The rattling noise may come from the flow of the refrigerant, which is normal. As each cycle ends, you may hear gurgling sounds caused by the flow of refrigerant in your Wine cooler. Contraction and expansion of the inside walls may cause popping and crackling noises. The Wine cooler is not level.
The door will not close properly.	The Wine cooler is not level. The door was reversed and not properly installed. The gasket is dirty. The shelves are out of position.

BORETTI B.V.

De Dollard 17
1454 AT Watergang
T +31(0)20-4363439
F +31(0)20-4361326
S +31(0)20-4363525 (service) E
info@boretti.com
The Netherlands

N.V. BORETTI S.A.

Rupelweg 16
2850 Boom
T +32(0)3-4508180 F
+32(0)3-4586847 E
info.be@boretti.com Belgium